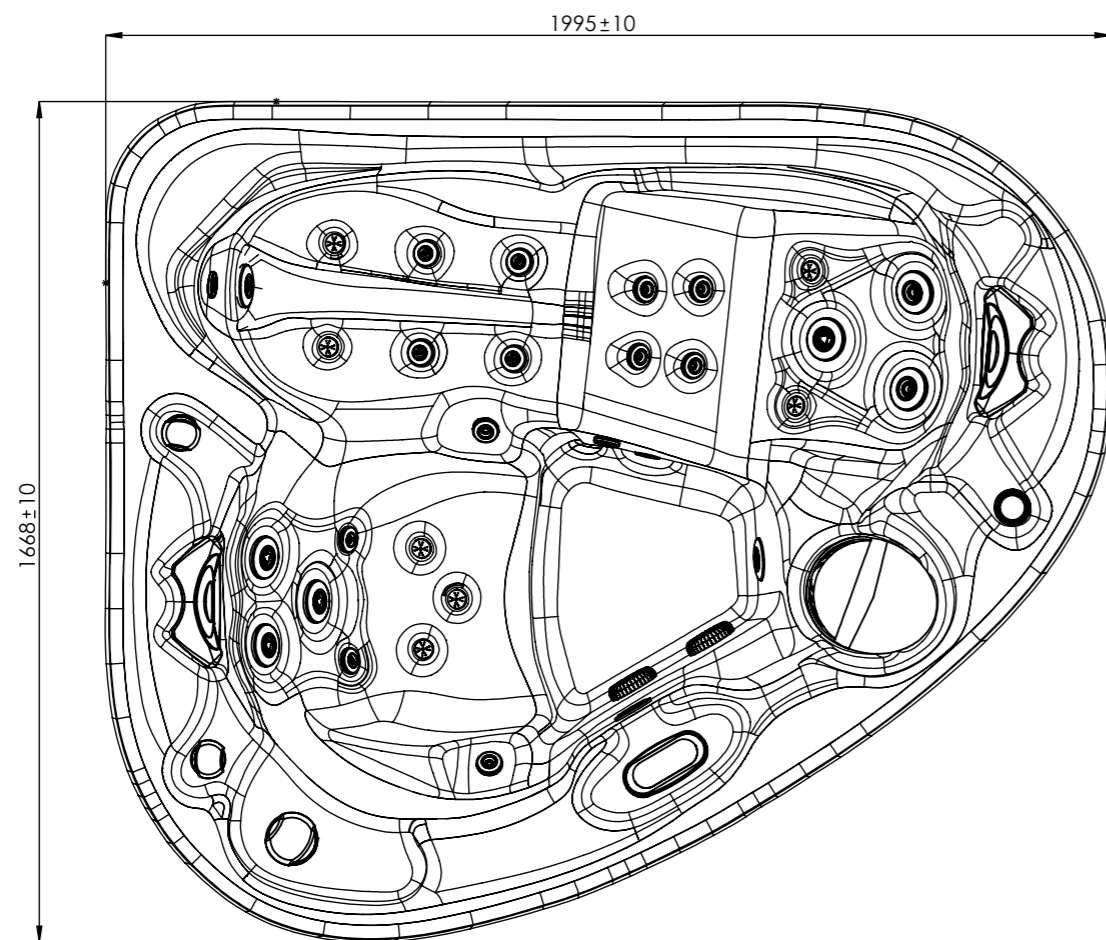
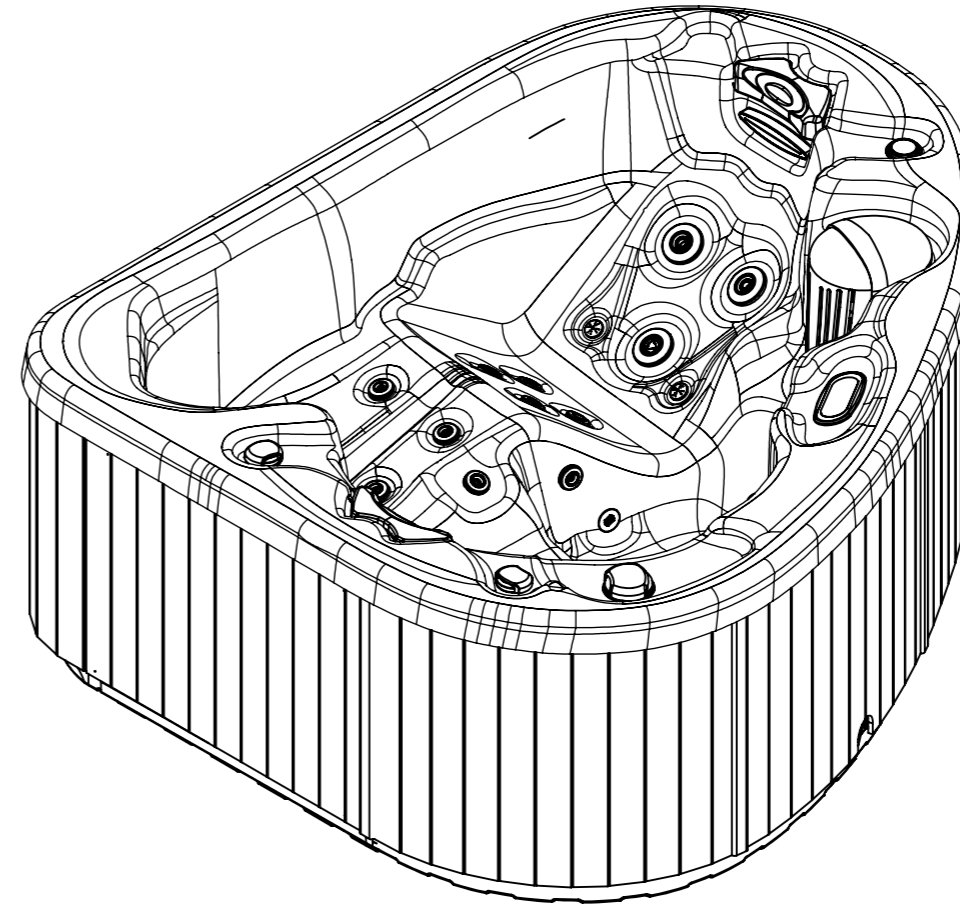
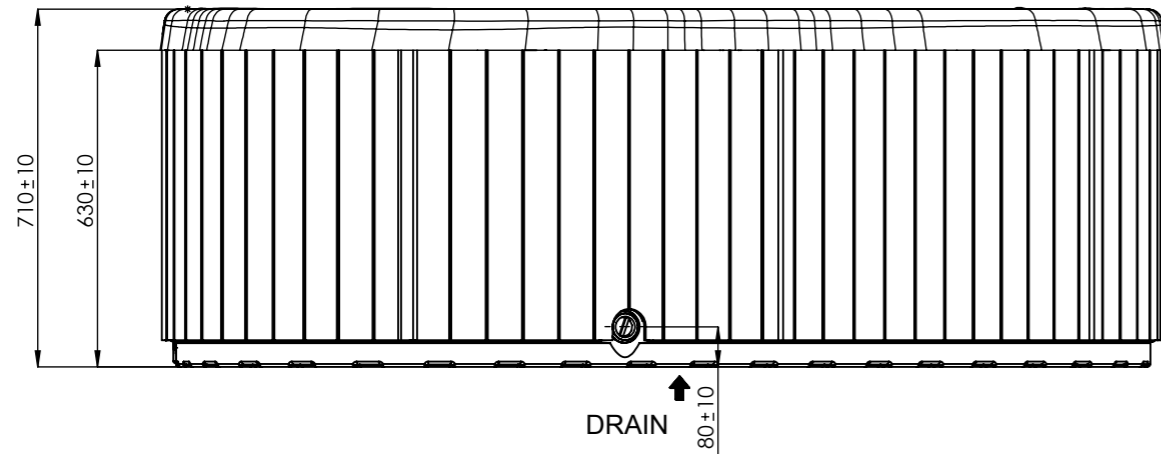


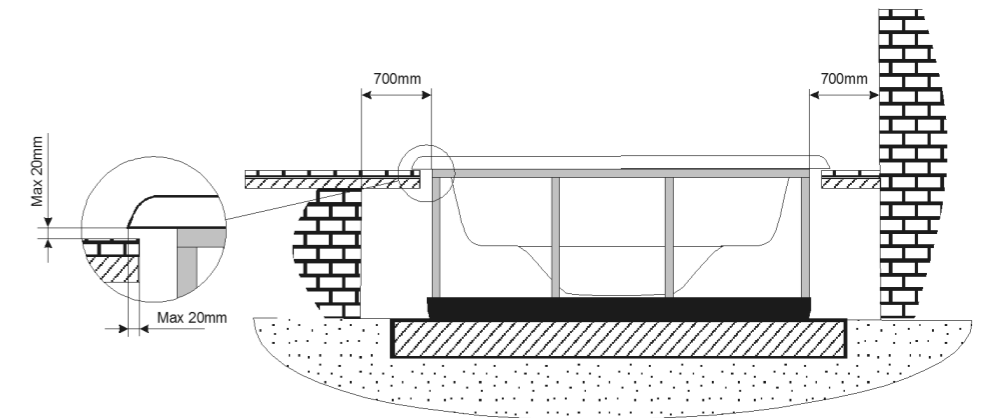
General specifications	
Spa weight (empty)	197 Kg
Spa weight (full)	557 Kg



ELECTRICAL BOARD CONNECTIONS ACCESS

Inground option

WARNING:
It's essential to keep a minimum clearance access of **700mm** all around.



According to our policy of continuous improvement, dimensions, features or components of this product can be partially or completely changed without prior notice.
It's Customer responsibility to verify that this is the last version of the drawing

07	03/12/2018	D.Castillo	Spa weight added.
06	20/09/2018	A.Miquel	Jets (CMP) changed.
05	08/05/2017	O. Faura	Changing of electronic parts references.
04	15/10/2014	I.Pozo	New spare template
03	15/05/2014	I.Pozo	Drawing update
Change No.	Date	Name	Modification

Remarks Dimensions in mm. General Tolerances +/- 10mm			COMMERCIAL			
Drawn	26/01/2009	M.Freixes	IBERSPA	Part Number	Rev.	First Angle Projection
Checked	26/01/2009	I.Nicolas		43930	07	
Scale	1:15		IBERSPA			
Sheet	1/2			General Tolerance DIN 7168 ISO 2768g		